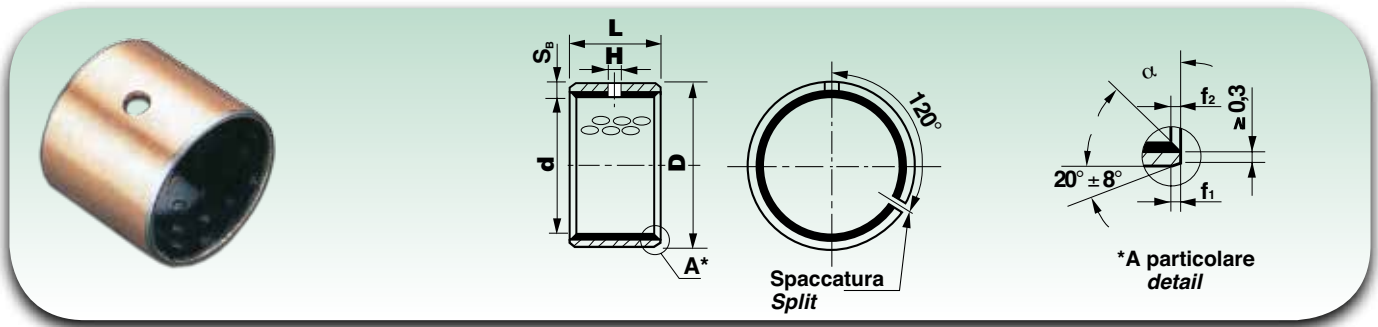


| Dimensioni (mm) Dimensions (mm) | | | |
|------------------------------------|----|--------------------|-------|
| d | D | L ^{±0,25} | H min |
| 6 | 8 | 8 | ⊛ |
| | | 10 | ⊛ |
| 7 | 9 | 10 | ⊛ |
| | | 10 | ⊛ |
| 8 | 10 | 8 | 3 |
| | | 10 | |
| | | 12 | |
| 10 | 12 | 8 | 3 |
| | | 10 | |
| | | 12 | |
| | | 15 | |
| 12 | 14 | 10 | 3 |
| | | 12 | |
| | | 15 | |
| | | 20 | |
| 13 | 15 | 10 | 3 |
| | | 10 | |
| 14 | 16 | 14 | 3 |
| | | 15 | |
| | | 20 | |
| | | 22 | |
| | | 25 | |
| 15 | 17 | 10 | 3 |
| | | 12 | |
| | | 15 | |
| | | 20 | |
| 16 | 18 | 10 | 3 |
| | | 12 | |
| | | 15 | |
| | | 16 | |
| | | 20 | |
| 18 | 20 | 15 | 3 |
| | | 18 | |
| | | 20 | |
| | | 25 | |
| 20 | 23 | 10 | 3 |
| | | 12 | |
| | | 15 | |
| | | 17 | |
| | | 20 | |
| 22 | 25 | 15 | 3 |
| | | 20 | |
| | | 22 | |
| | | 25 | |
| | | 30 | |
| 24 | 27 | 15 | 4 |
| | | 20 | |

| Dimensioni (mm) Dimensions (mm) | | | |
|------------------------------------|----|--------------------|-------|
| d | D | L ^{±0,25} | H min |
| 24 | 27 | 25 | 4 |
| | | 30 | |
| 25 | 28 | 10 | 4 |
| | | 15 | |
| | | 20 | |
| | | 25 | |
| | | 30 | |
| | | 40 | |
| | | 50 | |
| 28 | 31 | 30 | 4 |
| | | 30 | |
| 28 | 32 | 20 | 4 |
| | | 25 | |
| | | 28 | |
| | | 30 | |
| 30 | 34 | 15 | 4 |
| | | 20 | |
| | | 25 | |
| | | 30 | |
| 32 | 36 | 20 | 4 |
| | | 25 | |
| | | 30 | |
| | | 35 | |
| | | 40 | |
| 35 | 39 | 15 | 4 |
| | | 20 | |
| | | 25 | |
| | | 30 | |
| | | 35 | |
| 36 | 40 | 35 | 4 |
| | | 35 | |
| 37 | 41 | 20 | 4 |
| | | 30 | |
| 40 | 44 | 20 | 4 |
| | | 25 | |
| | | 30 | |
| | | 40 | |
| | | 50 | |
| 45 | 50 | 20 | 5 |
| | | 25 | |
| | | 30 | |
| | | 35 | |
| | | 40 | |
| | | 45 | |
| | | 50 | |
| 50 | 55 | 20 | 5 |
| | | 25 | |
| | | 30 | |
| | | 40 | |
| | | 50 | |
| | | 55 | |

| Dimensioni (mm) Dimensions (mm) | | | |
|------------------------------------|-----|--------------------|-------|
| d | D | L ^{±0,25} | H min |
| 50 | 55 | 60 | 5 |
| | | 60 | |
| 55 | 60 | 20 | 6 |
| | | 25 | |
| | | 30 | |
| | | 40 | |
| | | 50 | |
| | | 55 | |
| 60 | 65 | 30 | 6 |
| | | 40 | |
| | | 50 | |
| | | 60 | |
| 65 | 70 | 30 | 6 |
| | | 40 | |
| | | 50 | |
| | | 60 | |
| | | 70 | |
| 70 | 75 | 30 | 6 |
| | | 40 | |
| | | 50 | |
| | | 60 | |
| | | 65 | |
| | | 70 | |
| | | 80 | |
| 75 | 80 | 40 | 6 |
| | | 60 | |
| | | 75 | |
| | | 80 | |
| 80 | 85 | 40 | 6 |
| | | 50 | |
| | | 55 | |
| | | 60 | |
| | | 80 | |
| 85 | 90 | 30 | 6 |
| | | 40 | |
| | | 50 | |
| | | 60 | |
| | | 85 | |
| | | 100 | |
| 90 | 95 | 40 | 6 |
| | | 60 | |
| | | 80 | |
| | | 90 | |
| 95 | 100 | 30 | 6 |
| | | 60 | |
| | | 100 | |
| 100 | 105 | 30 | 6 |
| | | 30 | |

⊛ senza foro di lubrificazione - without lubrication hole



| Dimensioni (mm) Dimensions (mm) | | | |
|------------------------------------|-----|--------------------|-------|
| d | D | L ^{±0,25} | H min |
| 100 | 105 | 40 | 6 |
| | | 50 | |
| | | 60 | |
| | | 80 | |
| | | 90 | |
| | | 95 | |
| | | 100 | |
| 105 | 110 | 50 | 7 |
| | | 60 | |
| | | 80 | |
| | | 95 | |
| | | 105 | |
| 110 | 115 | 50 | 7 |
| | | 60 | |
| | | 80 | |
| | | 95 | |
| | | 110 | |
| | | 115 | |
| 115 | 120 | 50 | 7 |
| | | 70 | |
| | | 70 | |
| 120 | 125 | 40 | 7 |
| | | 60 | |
| | | 80 | |
| | | 100 | |
| | | 110 | |
| | | 120 | |
| | | 125 | |
| 60 | | | |
| 80 | | | |
| 100 | | | |
| 110 | | | |
| 130 | 135 | 50 | 7 |
| | | 60 | |
| | | 80 | |
| | | 80 | |

| Dimensioni (mm) Dimensions (mm) | | | |
|------------------------------------|-----|--------------------|-------|
| d | D | L ^{±0,25} | H min |
| 130 | 135 | 100 | 7 |
| | | 130 | |
| 135 | 140 | 30 | 7 |
| | | 60 | |
| | | 80 | |
| 140 | 145 | 50 | 7 |
| | | 60 | |
| | | 80 | |
| | | 100 | |
| | | 140 | |
| 150 | 155 | 50 | 7 |
| | | 60 | |
| | | 80 | |
| | | 100 | |
| | | 150 | |
| | | 150 | |
| 160 | 165 | 50 | 7 |
| | | 60 | |
| | | 80 | |
| | | 100 | |
| | | 160 | |
| 170 | 175 | 50 | 7 |
| | | 80 | |
| | | 100 | |
| | | 170 | |
| 180 | 185 | 50 | 7 |
| | | 60 | |
| | | 80 | |
| | | 100 | |
| | | 180 | |
| | | 180 | |
| 190 | 195 | 50 | 7 |
| | | 60 | |
| | | 80 | |
| | | 100 | |
| | | 120 | |
| | | 190 | |
| | | 190 | |
| 200 | 205 | 50 | 7 |
| | | 60 | |
| | | 80 | |
| | | 80 | |

| Dimensioni (mm) Dimensions (mm) | | | |
|------------------------------------|-----|--------------------|-------|
| d | D | L ^{±0,25} | H min |
| 200 | 205 | 100 | 7 |
| | | 120 | |
| | | 200 | |
| 220 | 225 | 50 | 7 |
| | | 60 | |
| | | 80 | |
| | | 100 | |
| | | 120 | |
| | | 220 | |
| 240 | 245 | 50 | 7 |
| | | 60 | |
| | | 80 | |
| | | 100 | |
| | | 120 | |
| | | 240 | |
| 250 | 255 | 50 | 7 |
| | | 60 | |
| | | 80 | |
| | | 100 | |
| | | 120 | |
| | | 250 | |
| 260 | 265 | 50 | 7 |
| | | 60 | |
| | | 80 | |
| | | 100 | |
| | | 120 | |
| | | 260 | |
| 280 | 285 | 50 | 7 |
| | | 60 | |
| | | 80 | |
| | | 100 | |
| | | 280 | |
| 300 | 305 | 50 | 7 |
| | | 60 | |
| | | 80 | |
| | | 100 | |
| | | 300 | |

Per ordinare specificare: SF-2 + d + L

To order, please specify: SF-2 + d + L

Tolleranze di montaggio raccomandate:

Recommended mounting tolerances:

Albero:

h 8

Foro:

≤ 4 = H 6

> 4 = H 7

Shaft:

h 8

Bore:

≤ 4 = H 6

> 4 = H 7

Possono essere fornite boccole a disegno per quantità

Bushes made according drawings can be supplied if large quantities are ordered.